

FOREVER

FUNCTIONAL

SYSTEM

COMFORT

STYLE

MADE IN ITALY

RELIABLE

VALUE

SOLID DESIGN

QUALITY

REASON

MODERN TECHNOLOGY



CLASSE A3 PLUS



Stabilimento / Plant

Via Bicocca, 14/c
40026 Imola - Bo (Italy)
tel. +39 0542 653441
fax +39 0542 653601

Sede legale ed amministrativa

Head Quarter

Cefla s.c.
Via Selice Provinciale, 23/a 40026
Imola - Bo (Italy)
tel. +39 0542 653111
fax +39 0542 653344
www.anthos.com

01/2013 ACL3GB131500
Our policy of constant technological upgrading means that technical specifications may be subject to change without prior notice.



CLASSE A3 PLUS



A3.

EXCEEDING EXPECTATIONS



"I'VE CHOSEN ANTHOS.
AN INTERNATIONALLY
RENOWNED BRAND."



CLASSE A3 PLUS 

Designed and built inside Europe's first dental unit production hub, Classe A3 Plus embodies all the key values of the Anthos brand: practicality, reliability, flexibility and safety.

What makes this model so exceptional is the simple design choice of incorporating functions and performance of outstanding quality: advanced hygiene systems, induction micromotor, instrument control panels with numerical display, pneumatically-stabilised dentist's module arm.

A3.

EXCEEDING EXPECTATIONS
CONSTITUTES THE FIRST STEP
IN THE ANTHOS QUEST
FOR TOTAL QUALITY. FOR
EXAMPLE, THE CLASSE A3 PLUS
IS A COMPACT, FLEXIBLE
MODEL THAT STANDS OUT
THANKS TO PERFORMANCE
LEVELS USUALLY RESERVED
FOR HIGH-END DENTAL
UNITS. ANTHOS CARRIES OUT
CONTINUOUS RESEARCH TO
DEVELOP ACROSS-THE-BOARD
PRODUCT IMPROVEMENTS
WHILE THE COMPANY'S
EXPERIENCE AND FAST TRACK
RESPONSE ENSURE THEY ARE
IMPLEMENTED QUICKLY.

- 1 New cuspidor bowl, which can be dismantled completely, with removable cup-and-bowl fill unit.
- 2 Surfaces made of a special plastic that provides long-lasting resistance to the effects of light and cleaning products.
- 3 Integrated multimedia system with digital camera and medical monitor with LED technology.
- 4 The spray circuit disinfection system is both safe and convenient.

- 5 Patient chair with cast aluminium structural components type-approved to lift up to 190 Kg.
- 6 The use of extruded aluminium for the pantograph arm ensures both strength and lightness.
- 7 Instrument levers are made of Nylon to ensure they are able to withstand constant use.
- 8 Cast aluminium armrest to ensure greater solidity and durability.
- 9 The new instrument control panel, made with materials that increase key sensitivity, incorporates a numerical display for greater data reading precision.



EXCEEDING
EXPECTATIONS

A3.

CLASSE A3 PLUS IS A COMBINATION OF COMFORT THAT BENEFITS BOTH DENTIST AND PATIENT ALIKE. THE NEW DENTAL UNIT STRUCTURE IS NICELY COMPACT, ESPECIALLY ON THE CONTINENTAL VERSION WHICH HAS AN ARM MEASURING JUST 50 CM. MOREOVER, THE PATIENT CHAIR 'FOOTPRINT' IS SMALLER. A NEW PATIENT CHAIR, TOUGH YET SLENDER AND SHAPED TO PERFECTION, ALLOWS PERSONNEL TO MOVE IN CLOSER TO THE PATIENT WITH GREATER COMFORT.



Rotating cuspidor bowl The new cuspidor bowl rotates over the unit body to prevent any interference with the operating area during treatment.



S9 ergonomic stool Designed to provide an optimal set-up, suitable for everyone regardless of height, the ergonomic S9 stool offers a sound alternative to more conventional products as height, seat tilt and lumbar support positioning can all be personalised.

Short Arm 26 On the Continental version the option of a 26 cm arm allows the dentist's module to be positioned on the assistant's side, a welcome feature for dentists working on their own.

Pneumatic brake To move the dentist's module effortlessly and block it at just the right height, whatever the weight of the material on the tray-holder, the pneumatic brake with handle button is an option that provides outstanding convenience.

Easier maintenance Some key maintenance tasks - such as 'top-loader' type filling of the spray circuit disinfection tank and replacement of the independent feed bottle - can be completed without even having to gain access to the inside of the unit body

Anatomically-shaped padding For even greater patient comfort there is an anatomically shaped padding option. This ensures maximum comfort, especially during prolonged treatment sessions.

Trendelenburg movement The patient chair features excellent vertical excursion and is programmed to go to the Trendelenburg position.



FOCUS ON COMFORT

A3.

ANTHOS CLASSE A HAS BEEN DESIGNED FOR WORLDWIDE USE AND EVERY DENTIST WITH A CLASSE A IS READY FOR WORK IMMEDIATELY – AND EVEN MORE SO WITH THE CLASSE A3 PLUS, WHICH FEATURES SIMPLE CONTROLS, ARRANGED IN A USER-FRIENDLY WAY TO PROVIDE ESSENTIAL, IMMEDIATE CONTROL.

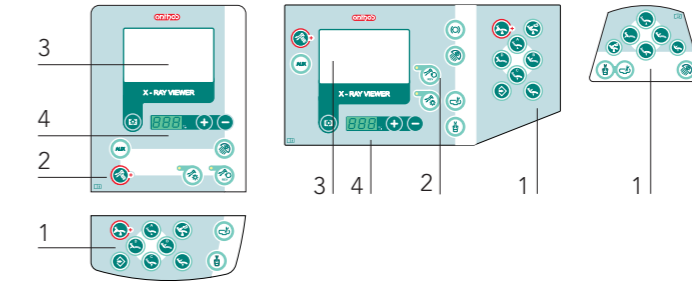


Thanks to a 3-figure numerical display, the new instrument control panels on the Classe A3 Plus provide enhanced working control. A layout separating patient chair controls from dental unit and instrument controls makes finding the right key simpler than ever. On the Continental version the shaping of the instrument control panel, with its tilted lower keypad, enhances ergonomics and practicality further.

The foot control, available in three different ergonomic versions, has been designed and developed to provide ease of use and multiple functions.

- Progressive instrument activation
- Immediate selection of sprays
- Chip Air, Chip Water
- Patient chair movement (except for version without joystick)
- Rinse and home position activation

Stop Vacuum The dentist can interrupt and reactivate suction, without having to return the cannulae to the holder, simply by pressing on the patient chair base.



- 1 Patient chair controls
- 2 Direct main service / function keys
- 3 X-ray viewer
- 4 Numerical display

READY FOR WORK
STRAIGHT AWAY

A3.



A WIDE RANGE OF INSTRUMENTS, PERFECTLY INTEGRATED WITH DENTAL UNIT ELECTRONICS, IS AVAILABLE; THESE PROVIDE THE DENTIST WITH THE VERY LATEST TECHNOLOGY AND ALLOW FAST-TRACK USE OF KEY ANTHOS BRAND PRODUCT FUNCTIONS.



Anthos ultrasound scalers The u-PZ6 scalers are suitable for supra- and subgingival prophylaxis and more invasive periodontic tasks. They are also ideal for the preparation of small cavities and in endodontic root canal cleaning techniques.



Silent Power Turbines Built to last, Anthos turbines feature ceramic ball bearings; despite high power delivery, vibration remains extremely limited. The separate nozzles for air and water provide excellent nebulisation, ensuring that fluids are not mixed inside the turbine. Besides sanitation treatment in an instrument washer, they can also be sterilised in an autoclave.

3-way syringe On the Continental module the straight version of this syringe is supplied as standard, while on International and assistant's modules the tip is angled. Like the other instruments, the syringe is positioned diagonally to ensure it does not obstruct access to the keypad. Both the stainless steel grip and the tip, which rotates 360°, can be removed for autoclave sterilisation.



i-MMr Latest-generation induction micromotor with a speed adjustment range of 1,000 to 40,000 rpm. Delivered torque – up to 3 Ncm – allows users to carry out both conservative dentistry and orthodontics, minimising hand fatigue thanks to low weight and vibration-free performance.

SECURE PERFORMANCE

On both Classe A3 Plus models the dentist can, where a sixth instrument is requested, choose between intraoral video camera and curing light. On the International model it is possible to incorporate both the transthoracic tray holder module and the panoramic X-ray viewer.

A3.

THE DENTAL TEAM CAN COUNT ON THE CUTTING-EDGE ANTHOS HYGIENE SYSTEM AT ALL TIMES. CLASSE A3 PLUS HAS BEEN DESIGNED TO ENSURE MAINTENANCE OF HYGIENIC CONDITIONS INSIDE BOTH DENTAL UNIT AND WORKPLACE. ACTIVE DEVICES AND SPECIAL DESIGN FEATURES PREVENT CONTAMINATION RISKS AND ARE IN PLACE TO ENSURE SECURE PROTECTION.



In compliance with the EN 1717 standard, the optional W.H.E. system provides suitable backflow contamination protection of the dental unit water supply. Moreover, it ensures non-proliferation of bacteria in the spray and water-to-cup circuits via the addition of H₂O₂ to inhibit the formation of biofilm. The hydrogen peroxide tank can be filled easily via a special port on the upper side of the unit body.



Anthos supplies 2 independent feed tanks: one with a grey stripe for distilled water and another with a yellow stripe for disinfectant liquid. Tank replacement and filling tasks are made easy thanks to accessible positioning on the unit body.



The Flushing function rinses the ducting with water quickly and efficiently, a task that should be carried out at the start of each working day and especially if the machine has been idle for an extended period. Flushing takes just 2 minutes and can be started via the key on the instrument panel.

A large double-chamber filter ensures greater suction system efficiency.



POWERFUL PROTECTION

A3.

To ensure maximum effectiveness, Anthos recommends the joint use of 2 optional hygiene systems and utilisation of Peroxy Ag+ (hydrogen peroxide with silver ion enhancement).





102-198*

113

106-196*

136

135-194*

115-195*

132

134

103

123-193*

101-197*

137

121-199*

130

Standard upholstery colours

- 102 Atlantic blue
- 113 Pacific blue
- 106 Mediterranean blue
- 136 Indian blue
- 135 Venetian red
- 115 Scottish salmon
- 132 Blueberry violet
- 134 Japanese wisteria
- 103 Nevada yellow
- 123 Polynesian green
- 101 Caribbean green
- 137 Bright silver
- 121 Anthracite grey
- 130 Graphite black

Anatomical padding upholstery colours (*)

- 197 Caribbean green
- 198 Atlantic blue
- 196 Mediterranean blue
- 195 Scottish salmon
- 199 Anthracite grey
- 194 Venetian red
- 193 Polynesian green

ACTIVE HYGIENE SYSTEMS

W.H.E.



Water Hygienisation Equipment

An automatic system that ensures permanent disinfection of spray and water-to-cup circuits via the addition of H₂O₂, exerting a bacteriostatic effect. The system, thanks to its construction characteristics, prevents contamination of mains water as per EN 1717.

S.H.S.



Independent feed tank

This 1.7 litre tank is provided to supply distilled water (grey stripe) and allow spray circuits to be sanitised with disinfectant liquid (yellow stripe).

O.D.R.



Anti-retraction device

The O.D.R. anti-retraction device, installed on all dynamic instruments, stops droplet retraction and so prevents retrograde contamination of spray water circuits.

PASSIVE HYGIENE



Fully removable front cover on instrument module.

Instrument support mat made of autoclavable silicone.

The stainless steel tray holder is interchangeable and autoclavable.

Cup and bowl fill unit is removable to aid disinfection.

Easy-to-dismantle glass or ceramic cuspidor bowl (option).

Membrane-protected touch keys.

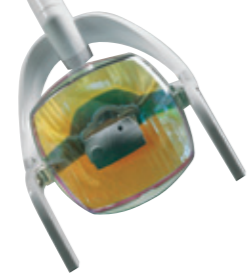
Removable cannula guides.

Cannula ends can be autoclaved.

Seamless SKAI upholstery can be removed for sanitation purpose.

Operating light handles can be removed and cold disinfected.





Venus Plus

High-performance operating light with protective front screen, removable handles for easy disinfection and potentiometer-controlled brightness.

- Colour temperature: 4,900 K
- Light intensity: from 8,000 to 35,000 Lux
- 3-axis rotation
- Built-in cooling



Venus - E

Versatile and practical, this operating light is provided with a front protection screen and removable, cold-disinfectable handles.

- Colour temperature: 4,100 K
- Light intensity up to 26,000 Lux
- 3-axis rotation

INTEGRATED INSTRUMENTS AND ACCESSORIES

i-MMr Micromotor



High-performance induction micromotor, versatile and at the very top of its category, smoothly integrated with dental unit electronics and with full memory-function control. Extremely compact, suitable for conservative and prosthetic dentistry. Maximum torque 3 Ncm.

u-PZ Ultrasound Scalers



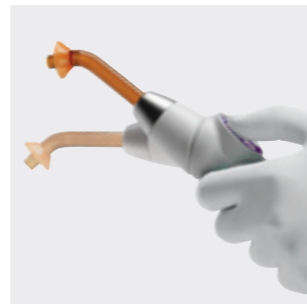
Scalers suitable for sovragingival prophylaxis and more invasive periodontic tasks. Thanks to the advanced control electronics, they are also used for the preparation of small cavities and in endodontic root canal cleaning techniques.

Silent Power Turbines



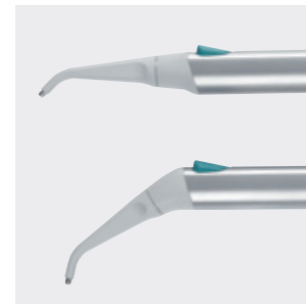
A range of turbines constructed with ceramic ball bearings; silent and powerful, they can be thermo-disinfected and sterilised in an autoclave.

T-LED Curing Light



Exclusive, patented instrument with programmes and accessories for every need. Light and articulated, 180° rotation allows use in both direct and 'gun' modes.

3F Syringe



3-way syringe for air, water and mixed spray, available in straight-shaped or angled-tip versions.

Swivel Tray Holder



The cuspidor bowl can be replaced with a swivel tray holder installed on the front cover of the unit body.

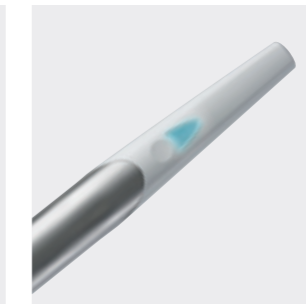
MULTIMEDIA AND X-RAY DEVICES

Zen-X



X-ray sensor integrated with the dentist's module and fully managed by the multimedia software of the dental unit. Readily available precision diagnostics and - thanks to careful shaping that ensures smooth adaptation to the oral anatomy - excellent comfort.

C-U2 intraoral camera



C-U2 with Progressive Scan technology and control electronics integrated with the dental unit which provide optimal imaging thanks to real-time adjustment of all parameters: all the dentist has to do is frame the desired subject.

C-U2 PRO intraoral camera



PRO optics provides images via three different focal adjustments. The Progressive Scan digital technology allows the capture of high definition images.

19" LED Monitor



- Medical Device CE 93/42 Certificate
 - Optional touch screen
 - 16/9 TFT active matrix flat screen
- The touch-screen version of the monitor requires external support from a PC via a USB cable connection.

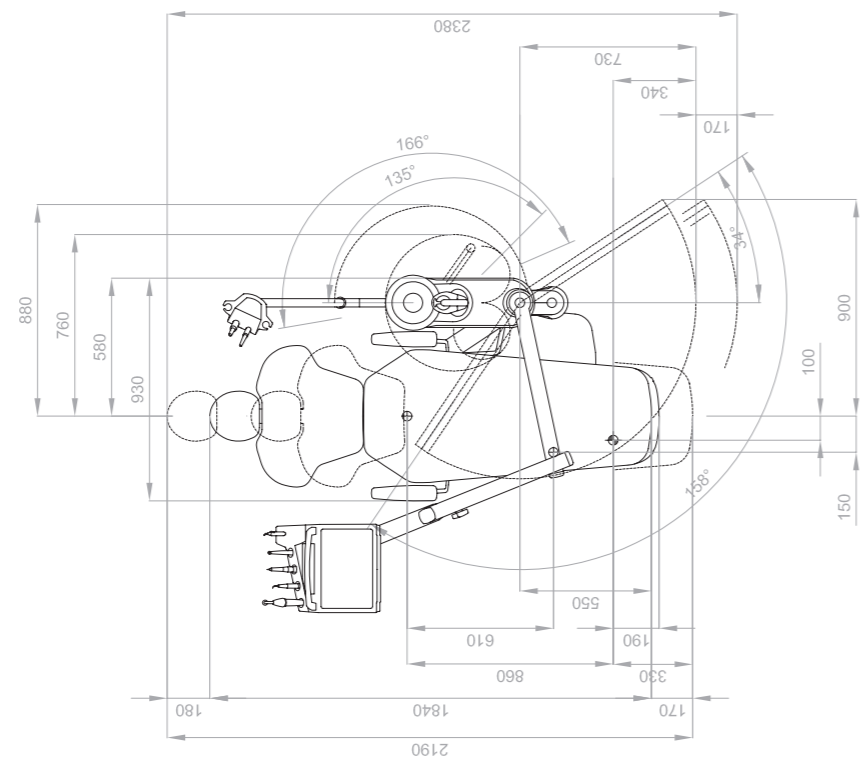
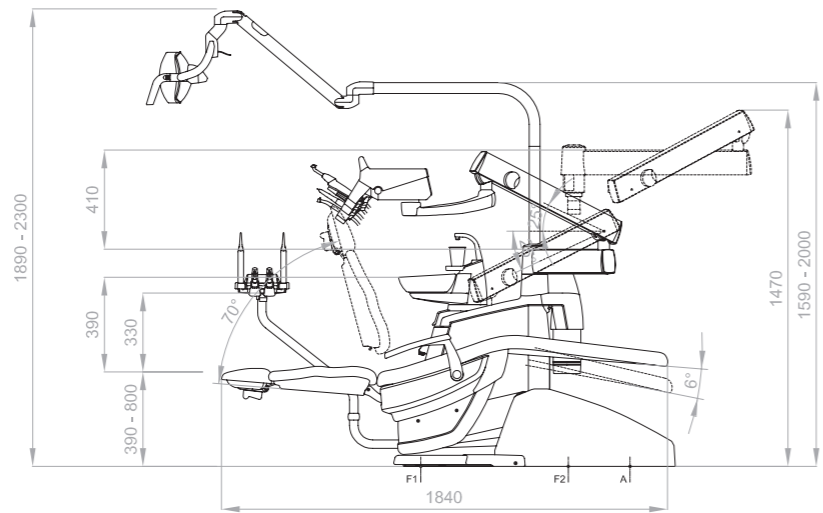


Conventional stools

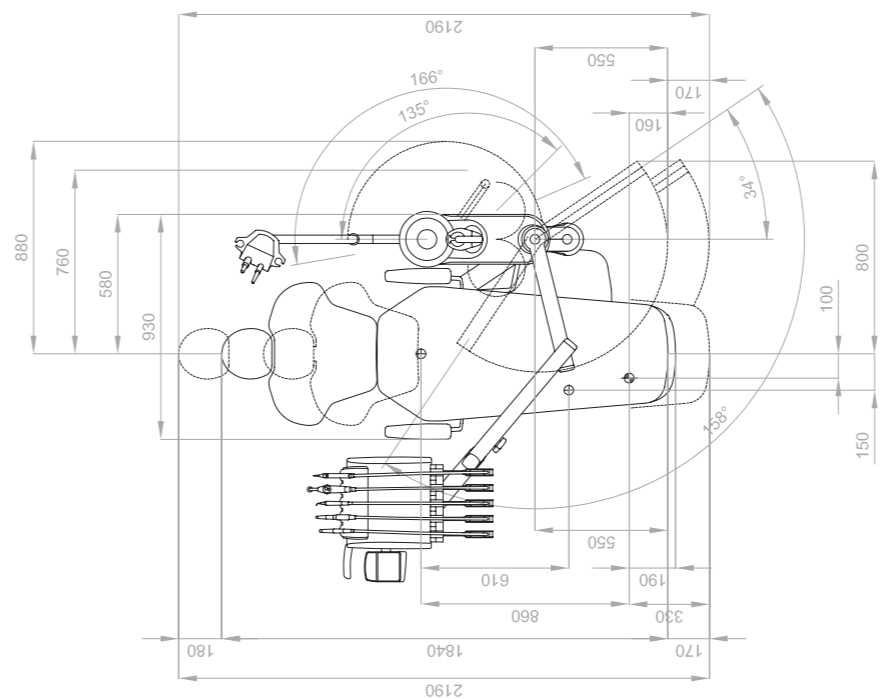
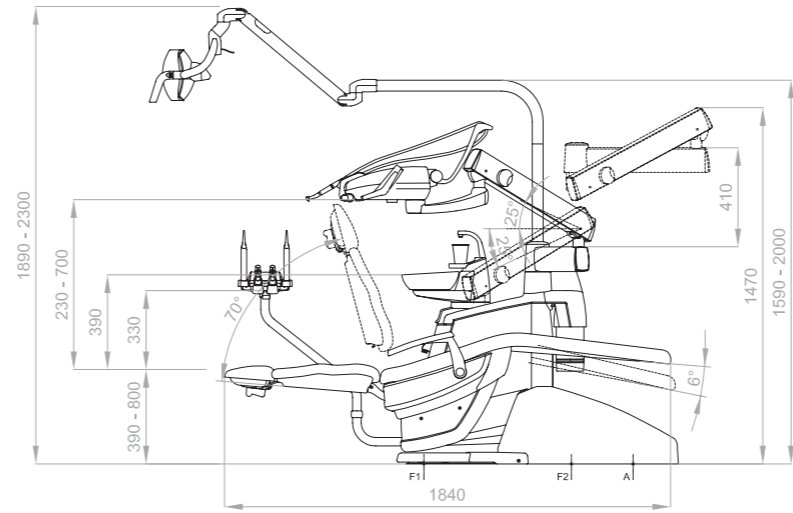
Dentist's stool featuring adjustable height and backrest tilt. Adjustable assistant's chair with backrest/armrest tilt. Optional extension and footrest ring kit.



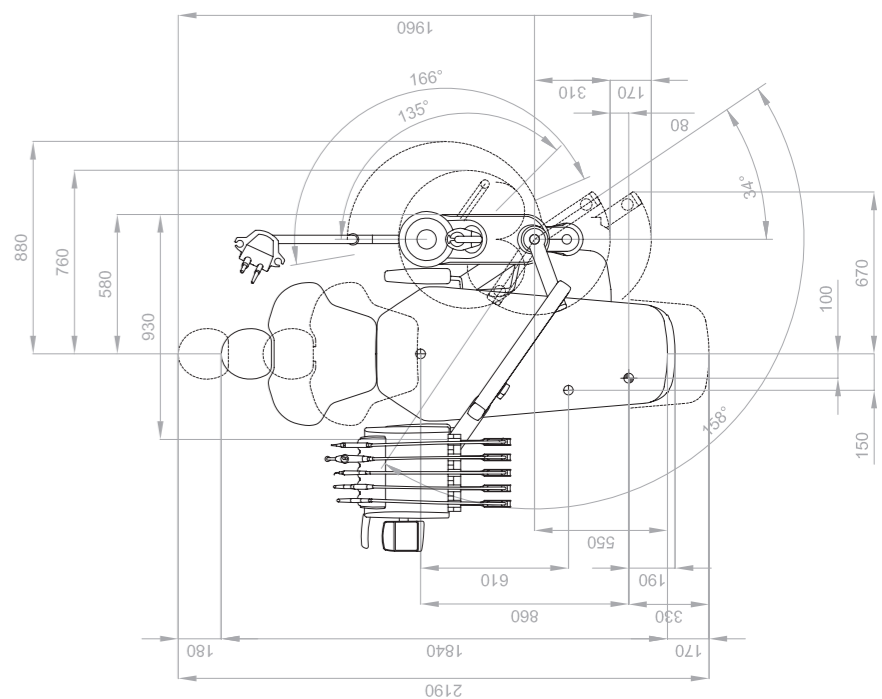
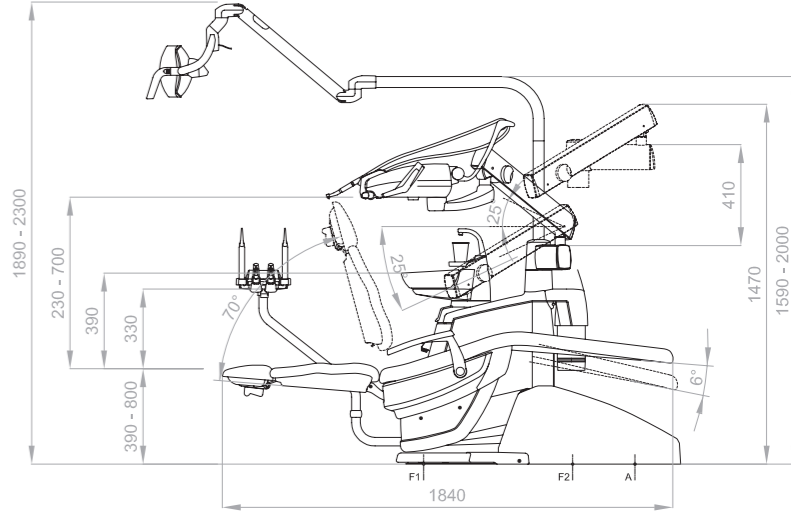
**CLASSE A3 PLUS
International**



**CLASSE A3 PLUS
Continental**



**CLASSE A3 PLUS
Short Arm 26**





102-198*



113



106-196*



136



135-194*



115-195*



132



134



103



123-193*



101-197*



137



121-199*



130

Standard upholstery colours

- 102 Atlantic blue
- 113 Pacific blue
- 106 Mediterranean blue
- 136 Indian blue
- 135 Venetian red
- 115 Scottish salmon
- 132 Blueberry violet
- 134 Japanese wisteria
- 103 Nevada yellow
- 123 Polynesian green
- 101 Caribbean green
- 137 Bright silver
- 121 Anthracite grey
- 130 Graphite black

Anatomical padding upholstery colours (*)

- 197 Caribbean green
- 198 Atlantic blue
- 196 Mediterranean blue
- 195 Scottish salmon
- 199 Anthracite grey
- 194 Venetian red
- 193 Polynesian green